



Il classico è di moda

Riscoprire l'autenticità ed il valore del saper vivere con gusto.

Veronica è caratterizzata da un design dalle linee sobrie e pulite.

L'ineccepibile qualità dei materiali utilizzati e la massima cura nei dettagli costruttivi si combinano per garantire un'offerta senza tempo.

Versatilità e funzionalità sono gli aspetti distintivi di questo modello di cucina, studiato per accogliere e razionalizzare l'ambiente cucina.

Veronica è una cucina che invita a riscoprire i valori tradizionali e sempre attuali del ricevere, i valori del vivere con gusto.

Classic style is in fashion.

Rediscovering tasteful living's authenticity and value.

Veronica is characterised by a design with understated and clean lines. The flawless quality of the materials used and the utmost care in the construction details combine to guarantee a timeless offer.

Versatility and functionality are the very distinguishing features of such model, designed to welcome and rationalise the setting.

Veronica is a kitchen that invites to rediscover the traditional and still valid value of entertaining, the value of tasteful living.



VERONICA

CARATTERISTICHE TECNICHE

<p>ANTE</p>	<p>intelaiata sp.24 mm in massello di frassino con bugna in mdf (conforme US EPA TSCA Title VI) impiallacciata in frassino fiamma verticale nei colori: bianco decapè spazzolato a poro aperto (opz.583), argilla decapè grigio spazzolato a poro aperto (opz.587)</p> <p>intelaiata sp.24 mm in massello di indica con bugna in massello di indica fiamma verticale nei colori: laccato bianco assoluto decapato grigio spazzolato a poro aperto (opz.588), tinto noce spazzolato (opz.589)</p> <p>intelaiata sp.24 mm in massello di frassino, bugna in mdf (conforme US EPA TSCA Title VI) impiallacciata frassino laccato a poro aperto nei colori: bianco artico (opz.590), cammello (opz.592), grigio fumo (opz.594), sahara (opz.591), grigio luce (opz.593), grigio reale (opz.595), piombo (opz.598)</p>
<p>ANTE CON GRATA</p>	<p>disponibili nelle misure 71,7x44,6 - 71,7x59,6 - 35,7x44,6 - 35,7x59,6 - 35,7x89,6 nei colori: bianco decapè spazzolato a poro aperto (opz.583G), argilla decapè grigio spazzolato a poro aperto (opz.587G), laccato bianco assoluto decapato grigio spazzolato a poro aperto (opz.588G), tinto noce spazzolato (opz.589G),</p>
<p>FRONTALI CASSETTI</p>	<p>in massello di frassino nei colori: bianco decapè spazzolato a poro aperto (opz.583), argilla decapè grigio spazzolato a poro aperto (opz.587)</p> <p>in massello di indica nei colori: laccato bianco assoluto decapato grigio spazzolato a poro aperto (opz.588), tinto noce spazzolato (opz.589)</p> <p>in massello di frassino nei colori: bianco artico (opz.590), cammello (opz.592), grigio fumo (opz.594), sahara (opz.591), grigio luce (opz.593), grigio reale (opz.595), piombo (opz.598)</p>
<p>ANTE VETRO di serie</p>	<p>VETRO MOLATO E SERIGRAFATO SP.4 MM telaio sp.24 mm in massello di frassino nelle finiture: bianco decapè spazzolato a poro aperto (opz.583S), argilla decapè grigio spazzolato a poro aperto (opz.587S) telaio sp.24 mm in massello di indica nelle finiture: laccato bianco assoluto decapato grigio spazzolato a poro aperto (opz.588S), tinto noce spazzolato (opz.589S)</p> <p>VETRO MOLATO SATINATO SP.4 MM telaio sp.24 mm in massello di frassino nelle finiture: bianco artico (opz.590), cammello (opz.592), grigio fumo (opz.594), sahara (opz.591), grigio luce (opz.593), grigio reale (opz.595), piombo (opz.598)</p>
<p>ANTE VETRO a richiesta</p>	<p>VETRO ANTICO "F" SP.4 MM TELAIO CON INGLESINA telaio sp.24 mm in massello di frassino nelle finiture: bianco decapè spazzolato a poro aperto (opz.583I), argilla decapè grigio spazzolato a poro aperto (opz.587I) telaio sp.24 mm in massello di indica nelle finiture: laccato bianco assoluto decapato grigio spazzolato a poro aperto (opz.588I), tinto noce spazzolato (opz.589I)</p> <p>VETRO ANTICO "F" SP.4 MM TELAIO CON INGLESINA E FORMELLA IN CERAMICA DIPINTA A MANO DECORO CASTAGNE telaio sp.24 mm in massello di frassino nelle finiture: bianco decapè spazzolato a poro aperto (opz.583IC), argilla decapè grigio spazzolato a poro aperto (opz.587IC) telaio sp.24 mm in massello di indica nelle finiture: laccato bianco assoluto decapato grigio spazzolato a poro aperto (opz.588IC), tinto noce spazzolato (opz.589IC)</p> <p>VETRO ANTICO "F" SP.4 MM TELAIO CON INGLESINA E FORMELLA IN CERAMICA DIPINTA A MANO DECORO FLOREALE telaio sp.24 mm in massello di frassino nelle finiture: bianco decapè spazzolato a poro aperto (opz.583IF), argilla decapè grigio spazzolato a poro aperto (opz.587IF), telaio sp.24 mm in massello di indica nelle finiture: laccato bianco assoluto decapato grigio spazzolato a poro aperto (opz.588IF), tinto noce spazzolato (opz.589IF)</p> <p>VETRO MOLATO BRONZO SP.4 MM telaio sp.24 mm in massello di frassino nelle finiture: bianco artico (opz.590B), cammello (opz.592B), grigio fumo (opz.594B), sahara (opz.591B), grigio luce (opz.593B), grigio reale (opz.595B), piombo (opz.598B)</p> <p>VETRO MOLATO FUMÈ SP.4 MM telaio sp.24 mm in massello di frassino nelle finiture: bianco artico (opz.590F), cammello (opz.592F), grigio fumo (opz.594F), sahara (opz.591F), grigio luce (opz.593F), grigio reale (opz.595F), piombo (opz.598F)</p>

CARATTERISTICHE TECNICHE

MANIGLIE

di serie:

255P finitura piombo spazzolato passo mm 160
per anta L 15 pomo finitura piombo spazzolato 255PP

255N finitura nichel satinato passo mm 160
per anta L 15 pomo finitura nichel satinato 255NP

255R finitura rame antico passo mm 160
per anta L 15 pomo finitura rame antico 255RP

255T finitura ottone antico passo mm 160
per anta L 15 pomo finitura ottone antico 255TP

a richiesta:

227 finitura ottone brunito passo mm 128
per anta L 15 pomo finitura ottone vecchio 228P

228 finitura ottone vecchio inserto avorio passo mm 128
per anta L 15 pomo finitura ottone vecchio 228P

224 finitura argento antico passo mm 128
per anta L 15 pomo finitura argento antico 224P

225 finitura argento antico passo mm 128
per anta L 15 pomo finitura argento antico 224P

263 finitura nichel opaco con swarovski passo mm 128
per anta L 15 pomo finitura nichel opaco con swarovski 263P

266 finitura argento orientale passo mm 128
per anta L 15 pomo argento orientale 266/1 passo 64 mm

264 finitura argento antico passo mm 128
per anta L 15 pomo finitura argento antico 264P

K91 finitura canna di fucile spazzolato passo mm 160
per anta L 15 pomo 240P finitura canna di fucile spazzolato

K91G finitura oro passo mm 160
per anta L 15 pomo K91GP finitura oro

256P finitura peltro spazzolato passo mm 160
per anta L 15 pomo finitura peltro spazzolato 256PP

257N finitura nichel satinato passo mm 160
per anta L 15 pomo finitura nichel satinato 257NP

257S finitura silver dark passo mm 160
per anta L 15 pomo finitura silver dark 257SP

620 pomo in ceramica colore avorio

STRUTTURE

ANTE: bianco decapè spazzolato a poro aperto, sahara
nobilitato lino effetto tela (opz.8920) schiena e ripiano conchiglia (opz.8910)

ANTA: tinto noce spazzolato
nobilitato teff effetto tela (opz.9496) schiena e ripiano visone (opz.948M)

ANTA: argilla decapè grigio spazzolato a poro aperto, cammello
nobilitato juta effetto tela (opz.9490) schiena e ripiano visone (opz.948M)

ANTA: laccato bianco assoluto decapato grigio spazzolato, bianco artico, grigio fumo, grigio luce, grigio reale, piombo
nobilitato grigio effetto tela (opz.9695) schiena e ripiano argilla (opz.9690)

a richiesta: nobilitato bianco (opz.001) schiena e ripiano bianco (opz.001)
nobilitato visone (opz.948M) schiena e ripiano visone (opz.948M)
nobilitato fango (opz.8860) schiena e ripiano fango (opz.8860)
nobilitato conchiglia (opz.8910) schiena e ripiano conchiglia (opz.8910)
nobilitato argilla (opz.9690) schiena e ripiano argilla (opz.9690)
nobilitato lavagna (opz.9620) schiena e ripiano lavagna (opz.9620)
nobilitato castagno naturale (opz.581) schiena e ripiano bianco (opz.001)
nobilitato castagno tinto noce (opz.582) schiena e ripiano bianco (opz.001)

MENSOLE

vedi pag.33

ZOCCOLI

vedi pag.34



TH. 24 MM**TECHNICAL FEATURES****DOORS**

24 mm-thick frame made of solid ash with MDF raised panel (conforming to US EPA TSCA Title VI) with ash veneer with vertical grain, in the following colours: open-pore brushed pickled white (opt. 583), open-pore brushed pickled clay grey (opt. 587)

solid Indica frame Th. 24 mm with solid wood raised panel with vertical grain in the following finishes: absolute white lacquer open-pore brushed pickled grey (opt. 588), brushed walnut stained (opt. 589)

24 mm-thick frame made of solid ash with MDF raised panel (conforming to US EPA TSCA Title VI) with ash veneer with open-pore lacquer finish, in the following colours: arctic white (opt. 590), camel (opt. 592), smoke grey (opt. 594), sahara (opt. 591), light grey (opt. 593), royal grey (opt. 595), lead (opt. 598)

DOORS WITH GRATING

available in sizes 71.7 x 44.6 - 71.7 x 59.6 - 35.7 x 44.6 - 35.7 x 59.6 - 35.7 x 89.6 in the following colours: open-pore brushed pickled white (opt. 583G), open-pore brushed pickled clay grey (opt. 587G), absolute white lacquer open-pore brushed pickled grey (opt. 588G), brushed walnut-stained (opt. 589G),

DRAWER FRONT PANELS

in solid ash in the following colours: open-pore brushed pickled white (opt. 583), open-pore brushed pickled clay grey (opt. 587)

in solid Indica in the following colours: absolute white lacquer open-pore brushed pickled grey (opt. 588), brushed walnut stained (opt. 589)

in solid ash in the following colours: arctic white (opt. 590), camel (opt. 592), smoke grey (opt. 594), sahara (opt. 591), light grey (opt. 593), royal grey (opt. 595), lead (opt. 598)

GLASS DOORS as standard**4 MM THICK SCREEN-PRINTED AND GROUND GLASS**

24 mm Th. solid ash frame in the following finish: open-pore brushed pickled white (opt. 583S), open-pore brushed pickled clay grey (opt. 587S)

24 mm Th. solid Indica frame in the following finishes: absolute white lacquer open-pore brushed pickled grey (opt. 588S), brushed walnut-stained (opt. 589S)

4 MM THICK GROUND AND FROSTED GLASS

24 mm Th. solid ash frame in the following finishes: arctic white (opt. 590), camel (opt. 592), smoke grey (opt. 594), sahara (opt. 591), light grey (opt. 593), royal grey (opt. 595), lead (opt. 598)

GLASS DOORS on request**4MM THICK ANTIQUE GLASS "F" FRAME WITH GLASS PANELS**

24 mm Th. solid ash frame in the following finish: open-pore brushed pickled white (opt. 583I), open-pore brushed pickled clay grey (opt. 587I)

24 mm Th. solid Indica frame in the following finishes: absolute white lacquer open-pore brushed pickled grey (opt. 588I), brushed walnut-stained (opt. 589I)

4MM THICK ANTIQUE GLASS "F" FRAME WITH GLASS PANELS AND HAND-PAINTED CERAMIC TILE WITH CHESTNUT DECORATION

24 mm Th. solid ash frame in the following finish: open-pore brushed pickled white (opt. 583IC), open-pore brushed pickled clay grey (opt. 587IC)

24 mm Th. solid Indica frame in the following finishes: absolute white lacquer open-pore brushed pickled grey (opt. 588IC), brushed walnut-stained (opt. 589IC)

4MM THICK ANTIQUE GLASS "F" FRAME WITH GLASS PANELS AND HAND-PAINTED CERAMIC TILE WITH FLORAL DECORATION

24 mm Th. solid ash frame in the following finish: open-pore brushed pickled white (opt. 583IF), open-pore brushed pickled clay grey (opt. 587IF),

24 mm Th. solid Indica frame in the following finishes: absolute white lacquer open-pore brushed pickled grey (opt. 588IF), brushed walnut-stained (opt. 589IF)

4 MM THICK GROUND AND BRONZED GLASS

24 mm Th. solid ash frame in the following finishes: arctic white (opt. 590B), camel (opt. 592B), smoke grey (opt. 594B), sahara (opt. 591B), light grey (opt. 593B), royal grey (opt. 595B), lead (opt. 598B)

4MM THICK GROUND AND SMOKED GLASS

24 mm Th. solid ash frame in the following finishes: arctic white (opt. 590F), camel (opt. 592F), smoke grey (opt. 594F), sahara (opt. 591F), light grey (opt. 593F), royal grey (opt. 595F), lead (opt. 598F)

TECHNICAL FEATURES**HANDLES****standard:**

255P brushed lead finish, centre-to-centre distance 160 mm
for door W 15 brushed lead finish knob 255PP

255N satin nickel finish, centre-to-centre distance 160 mm
for door W 15 satin nickel finish knob 255NP

255R antique copper finish, centre-to-centre distance 160 mm
for door W 15 antique copper finish knob 255RP

255T antique brass finish, centre-to-centre distance 160 mm
for door W 15 antique brass finish knob 255TP

on request:

227 burnished brass finish, centre-to-centre distance 128 mm
for door W 15 knob with old brass finish 228P

228 old brass finish with ivory insert, centre-to-centre distance 128 mm
for door W 15 knob with old brass finish 228P

224 antique silver finish, centre-to-centre distance 128 mm
for door W 15 antique silver finish knob 224P

225 antique silver finish, centre-to-centre distance 128 mm
for door W 15 antique silver finish knob 224P

263 matt nickel finish with swarovski crystals, 128 mm centre-to-centre distance
for door W 15 matt nickel knob with swarovski crystals 263P

266 oriental silver finish, centre-to-centre distance 128 mm
for door W 15 oriental silver knob 266/1, centre-to-centre distance 64 mm

264 antique silver finish, centre-to-centre distance 128 mm
for door W 15 antique silver finish knob 264P

K91 brushed gunmetal finish, 160 mm centre-to-centre distance
for door W 15, knob 240P with brushed gunmetal finish

K91G gold finish, 160 mm centre-to-centre distance
for door W 15 gold finish K91GP knob

256P brushed pewter finish, centre-to-centre distance 160 mm
for door W 15 brushed pewter finish knob 256PP

257N satin nickel finish, centre-to-centre distance 160 mm
for door W 15 satin nickel finish knob 257NP

257S dark silver finish, centre-to-centre distance 160 mm
for door W 15 dark silver finish knob 257SP

620 ivory coloured ceramic knob hole

CARCASSES

DOORS: open-pore brushed pickled white, sahara
linen melamine-coated canvas effect (opt.8920) shell back panel and shelf (opt. 8910)

DOOR: brushed chestnut stained
teff melamine-coated canvas effect (opt.9496) mink back panel and shelf (opt. 948M)

DOOR: open-pore brushed pickled clay grey, camel
jute melamine-coated canvas effect (opt.9490) mink back panel and shelf (opt. 948M)

DOOR: absolute white lacquer open-pore brushed pickled grey, arctic white, smoke grey, light grey, royal grey, lead grey
melamine-coated canvas effect (opt.9695) clay back panel and shelf (opt. 9690)

on request: melamine-coated white (opt.001), white back panel and shelf (opt.001)
melamine-coated mink (opt.948M), mink back panel and shelf (opt.948M)
melamine-coated mud (opt.8860) mud back panel and shelf (opt.8860)
melamine-coated shell (opt.8910) shell back panel and shelf (opt.8910)
melamine-coated clay (opt.9690) clay back panel and shelf (opt.9690)
melamine-coated slate grey (opt.9620) slate grey back panel and shelf (opt.9620)
melamine-coated natural chestnut (opt.581), white back panel and shelf (opt.001)
melamine-coated walnut-stained (opt.582), white back panel and shelf (opt.001)

SHELVES

see page 33

PLINTHS

see page 34



cod. **404** SP. 24 MM

VERONICA

ante in frassino bianco decapè spazzolato a poro aperto
doors in open-pore brushed pickled white ash

 *colori in pronta consegna
available colours*



anta (opz.583)
door (opt. 583)



anta con grata (opz.583G)
door with grating
(opt. 583G)



frontale cestone (opz.583)
deep drawer front panel
(opt. 583)

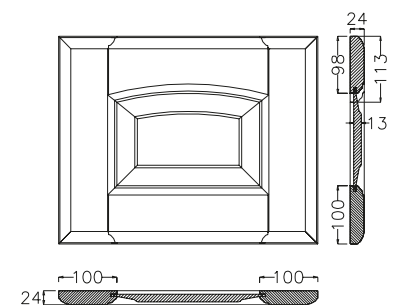


frontale cestone con grata
(opz.583G)
deep drawer front panel
with grating (opt. 583G)



frontale cassetto
(opz.583)
drawer front panel
(opt. 583)

SP. 24 MM



cod. **404** SP. 24 MM

VERONICA

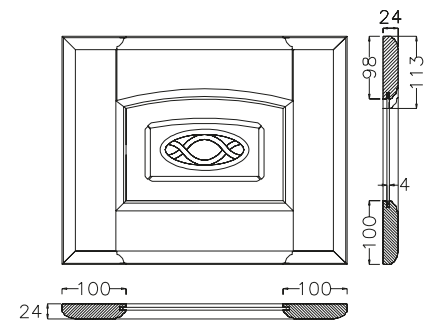
ante vetro frassino bianco decapè spazzolato a poro aperto
 glass doors in open-pore brushed pickled white ash



vetro molato e serigrafato
 (opz.583S)
 screen-printed and ground
 glass (opt. 583S)

 *colori in pronta consegna
 available colours*

SP. 24 MM

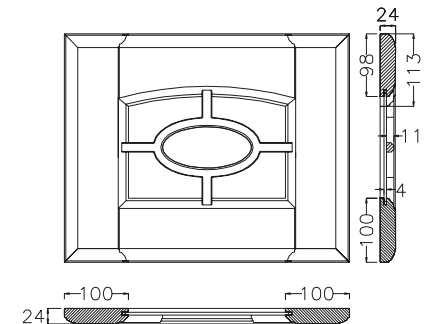


inglesina con vetro antico
 "F" (opz.583I)
 glass panels with antique
 glass "F" (opt. 583I)

inglesina con formella
 in ceramica dipinta a mano
 decoro castagne,
 vetro antico "F" (opz.583IC)
 glass panels with
 hand-painted ceramic tile with
 chestnut decoration, antique
 glass "F" (opt. 583IC)

inglesina con formella
 in ceramica dipinta a mano
 decoro floreale,
 vetro antico "F" (opz.583IF)
 glass panels with
 hand-painted ceramic tile with
 floral decoration, antique
 glass "F" (opt. 583IF)

SP. 24 MM



cod. **404** SP. 24 MM

VERONICA

ante in frassino argilla decapè grigio spazzolato a poro aperto
doors in open-pore brushed pickled clay grey ash

 *colori in pronta consegna
available colours*



anta (opz.587)
door (opt. 587)



anta con grata (opz.587G)
door with grating
(opt. 587G)



frontale cestone (opz.587)
deep drawer front panel
(opt. 587)

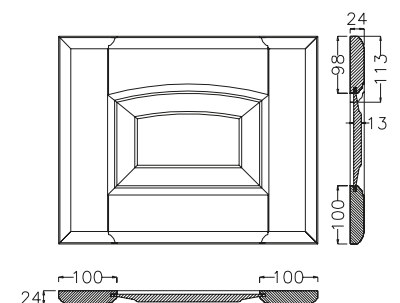


frontale cestone con grata
(opz.587G)
deep drawer front panel
with grating (opt. 587G)



frontale cassetto
(opz.587)
drawer front panel
(opt. 587)

SP. 24 MM



cod. **404** SP. 24 MM

VERONICA

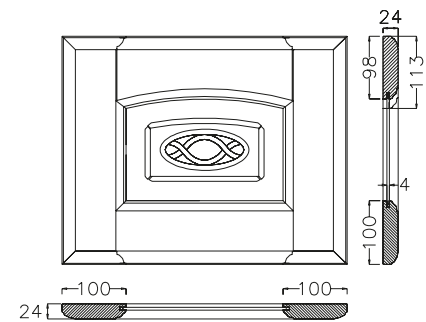
ante vetro in frassino argilla decapè grigio spazzolato a poro aperto
 glass doors in open-pore brushed pickled clay grey ash



vetro molato e serigrafato
 (opz.587S)
 screen-printed and ground
 glass (opt. 587S)

 *colori in pronta consegna*
available colours

SP. 24 MM

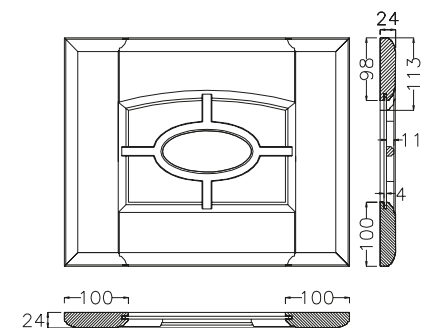


inglesina con vetro antico
 "F" (opz.587I)
 glass panels with antique
 glass "F" (opt. 587I)

inglesina con formella
 in ceramica dipinta a mano
 decoro castagne,
 vetro antico "F" (opz.587IC)
 glass panels with
 hand-painted ceramic tile with
 chestnut decoration, antique
 glass "F" (opt. 587IC)

inglesina con formella
 in ceramica dipinta a mano
 decoro floreale,
 vetro antico "F" (opz.587IF)
 glass panels with
 hand-painted ceramic tile with
 floral decoration, antique
 glass "F" (opt. 587IF)

SP. 24 MM



cod. **404** SP. 24 MM **NEW**

VERONICA

ante in massello di indica laccato bianco assoluto decapè grigio
doors solid walnut absolute white lacquer pickled grey indica

 *colori in pronta consegna
available colours*



anta (opz.588)
door (opt. 588)



anta con grata (opz.588G)
door with grating
(opt. 588G)



frontale cestone (opz.588)
deep drawer front panel
(opt. 588)

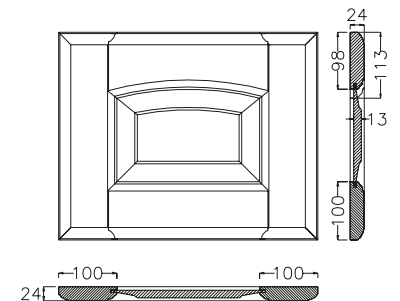


frontale cestone con grata
(opz.588G)
deep drawer front panel
with grating (opt. 588G)



frontale cassetto
(opz.588)
drawer front panel
(opt. 588)

SP. 24 MM



cod. **404** SP. 24 MM **NEW**

VERONICA

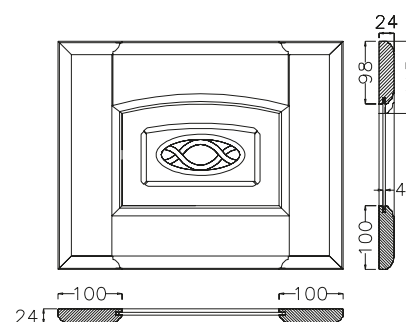
ante vetro in massello di indica laccato bianco assoluto decapè grigio
 glass doors solid walnut absolute white lacquer pickled grey indica



vetro molato e serigrafato
 (opz.588S)
 screen-printed and
 ground glass (opt. 588S)

 *colori in pronta consegna
 available colours*

SP. 24 MM

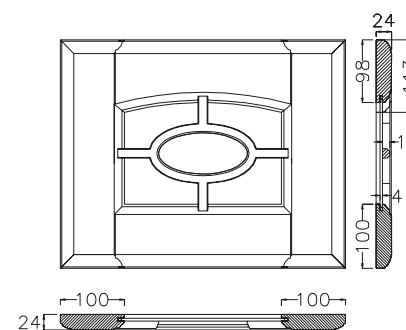


inglesina con vetro antico
 "F" (opz.588I)
 glass panels with antique
 glass "F" (opt. 588I)

inglesina con formella
 in ceramica dipinta a mano
 decoro castagne,
 vetro antico "F" (opz.588IC)
 glass panels with
 hand-painted ceramic tile with
 chestnut decoration, antique
 glass "F" (opt. 588IC)

inglesina con formella
 in ceramica dipinta a mano
 decoro floreale,
 vetro antico "F" (opz.588IF)
 glass panels with
 hand-painted ceramic tile with
 floral decoration, antique
 glass "F" (opt. 588IF)

SP. 24 MM



cod. **404** SP. 24 MM **NEW**

VERONICA

ante in massello di indica tinto noce spazzolato
doors in brushed solid walnut-stained indica



anta (opz.589)
door (opt. 589)



anta con grata (opz.589G)
door with grating
(opt. 589G)

 *colori in pronta consegna
available colours*



frontale cestone (opz.589)
deep drawer front panel
(opt. 589)

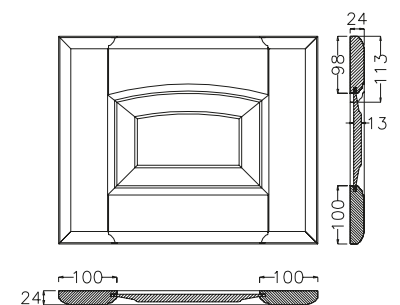


frontale cestone con grata
(opz.589G)
deep drawer front panel
with grating (opt. 589G)



frontale cassetto
(opz.589)
drawer front panel
(opt. 589)

SP. 24 MM



cod. **404** SP. 24 MM **NEW**

VERONICA

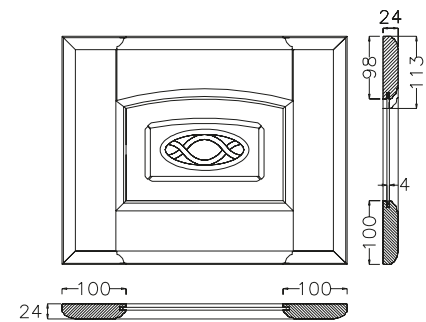
ante vetro in massello di indica tinto noce spazzolato
 glass doors in brushed solid walnut-stained indica



vetro molato e serigrafato
 (opz.589S)
 screen-printed and
 ground glass (opt. 589S)

 *colori in pronta consegna*
available colours

SP. 24 MM

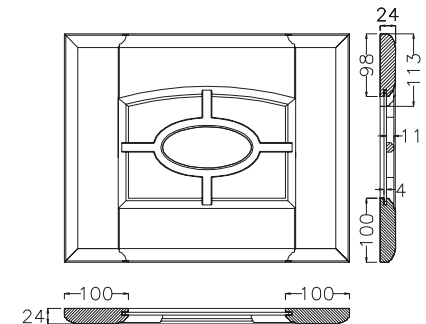


inglesina con vetro antico
 "F" (opz.589I)
 glass panels with antique
 glass "F" (opt. 589I)

inglesina con formella
 in ceramica dipinta a mano
 decoro castagne,
 vetro antico "F" (opz.589IC)
 glass panels with
 hand-painted ceramic tile with
 chestnut decoration, antique
 glass "F" (opt. 589IC)

inglesina con formella
 in ceramica dipinta a mano
 decoro floreale,
 vetro antico "F" (opz.589IF)
 glass panels with
 hand-painted ceramic tile with
 floral decoration, antique
 glass "F" (opt. 589IF)

SP. 24 MM



cod. **404** SP. 24 MM **NEW**

VERONICA

ante in frassino laccato a poro aperto bianco artico
doors ash with open-pore lacquer finish arctic white



anta bianco artico
(opz.590)
arctic white door
(opt. 590)

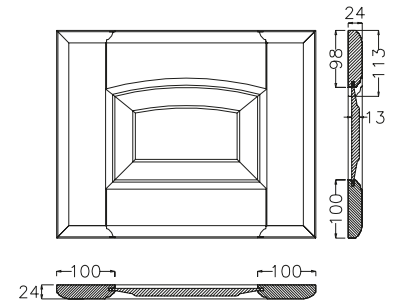


frontale cestone
bianco artico (opz.590)
deep drawer front
arctic white (opt. 590)



frontale cassetto
bianco artico (opz.590)
drawer front
arctic white (opt. 590)

SP. 24 MM



ante vetro in frassino laccato a poro aperto bianco artico
glass doors ash with open-pore lacquer finish arctic white



vetro molato satinato
(opz.590)
ground and frosted
(opt. 590)



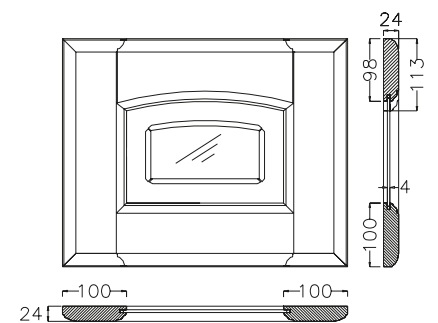
vetro molato bronzo
(opz.590B)
ground and bronzed
(opt. 590B)



vetro molato fumè
(opz.590F)
ground and smoked
(opt. 590F)



SP. 24 MM



cod. **404** SP. 24 MM **NEW**

VERONICA

ante in frassino laccato a poro aperto cammello
doors ash with open-pore lacquer finish camel



anta cammello (opz.592)
camel door (opt. 592)

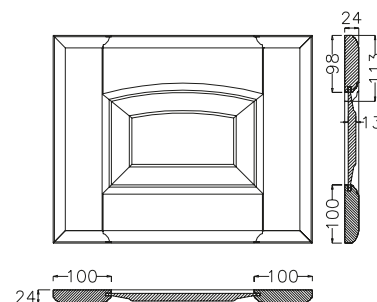


frontale cestone cammello (opz.592)
deep drawer front camel (opt. 592)



frontale cassetto cammello (opz.592)
drawer front camel (opt. 592)

SP. 24 MM



ante vetro in frassino laccato a poro aperto cammello
glass doors ash with open-pore lacquer finish camel



vetro molato satinato (opz.592)
ground and frosted (opt. 592)

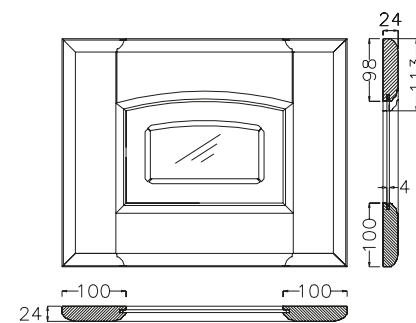


vetro molato bronzo (opz.592B)
ground and bronzed (opt. 592B)



vetro molato fumè (opz.592F)
ground and smoked (opt. 592F)

SP. 24 MM



cod. **404** SP. 24 MM **NEW**

VERONICA

ante in frassino laccato a poro aperto grigio fumo
doors ash with open-pore lacquer finish smoke grey



anta grigio fumo
(opz.594)
smoke grey door
(opt. 594)

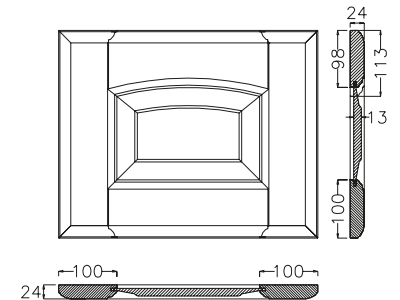


frontale cestone
grigio fumo (opz.594)
deep drawer front
smoke grey (opt. 594)



frontale cassetto
grigio fumo (opz.594)
drawer front
smoke grey (opt. 594)

SP. 24 MM



ante vetro in frassino laccato a poro aperto grigio fumo
glass doors ash with open-pore lacquer finish smoke grey



vetro molato satinato
(opz.594)
ground and frosted
(opt. 594)



vetro molato bronzo
(opz.594B)
ground and bronzed
(opt. 594B)



vetro molato fumè
(opz.594F)
ground and smoked
(opt. 594F)



vetro molato satinato
(opz.594)
ground and frosted
(opt. 594)

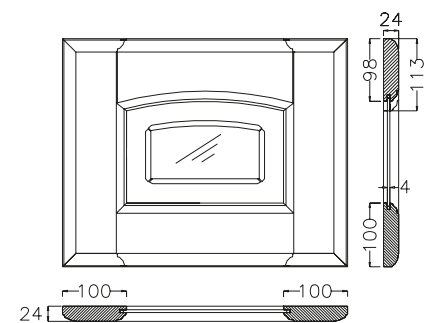


vetro molato bronzo
(opz.594B)
ground and bronzed
(opt. 594B)



vetro molato fumè
(opz.594F)
ground and smoked
(opt. 594F)

SP. 24 MM



cod. **404** SP. 24 MM **NEW**

VERONICA

ante in frassino laccato a poro aperto sahara
doors ash with open-pore lacquer finish sahara



anta sahara (opz.591)
sahara door (opt. 591)

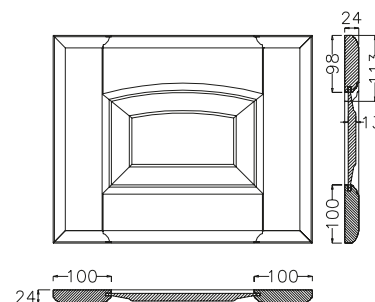


frontale cestone
sahara (opz.591)
deep drawer front
sahara (opt. 591)



frontale cassetto
sahara (opz.591)
drawer front
sahara (opt. 591)

SP. 24 MM



ante vetro in frassino laccato a poro aperto sahara
glass doors with open-pore lacquer finish sahara



vetro molato satinato
(opz.591)
ground and frosted
(opt. 591)



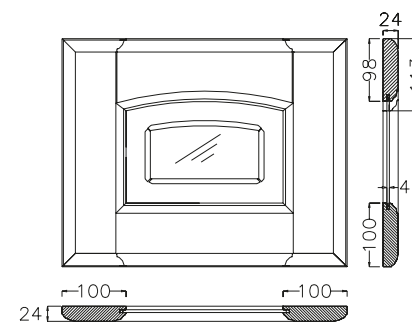
vetro molato bronzo
(opz.591B)
ground and bronzed
(opt. 591B)



vetro molato fumè
(opz.591F)
ground and smoked
(opt. 591F)



SP. 24 MM



cod. **404** SP. 24 MM **NEW**

VERONICA

ante in frassino laccato a poro aperto grigio luce
doors ash with open-pore lacquer finish light grey



anta grigio luce (opz.593)
light grey door (opt. 593)

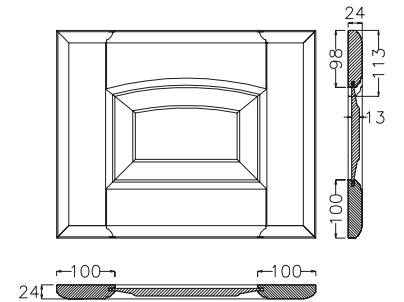


frontale cestone
grigio luce (opz.593)
deep drawer front
light grey (opt. 593)



frontale cassetto
grigio luce (opz.593)
drawer front
light grey (opt. 593)

SP. 24 MM



ante vetro in frassino laccato a poro aperto grigio luce
glass doors ash with open-pore lacquer finish light grey



vetro molato satinato
(opz.593)
ground and frosted
(opt. 593)



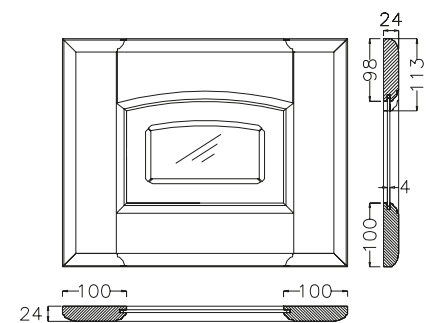
vetro molato bronzo
(opz.593B)
ground and bronzed
(opt. 593B)



vetro molato fumè
(opz.593F)
ground and smoked
(opt. 593F)



SP. 24 MM



cod. **404** SP. 24 MM **NEW**

VERONICA

ante in frassino laccato a poro aperto piombo
doors ash with open-pore lacquer finish lead



anta piombo (opz.598)
lead door (opt. 598)

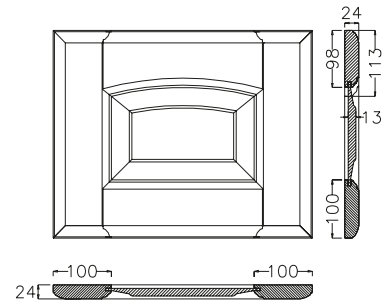


frontale cestone
piombo (opz.598)
deep drawer front
lead (opt. 598)



frontale cassetto
piombo (opz.598)
drawer front
lead (opt. 598)

SP. 24 MM



ante vetro in frassino laccato a poro aperto piombo
glass doors ash with open-pore lacquer finish lead



vetro molato satinato
(opz.598)
ground and frosted
(opt. 598)

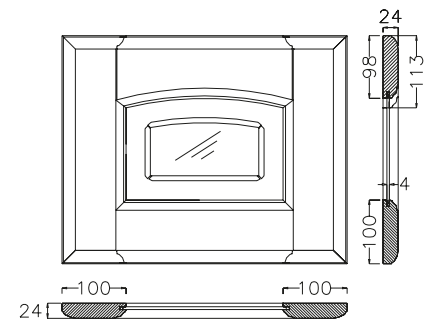


vetro molato bronzo
(opz.598B)
ground and bronzed
(opt. 598B)



vetro molato fumè
(opz.598F)
ground and smoked
(opt. 598F)

SP. 24 MM



cod. **404** SP. 24 MM **NEW**

VERONICA

ante in frassino laccato a poro aperto grigio reale
doors ash with open-pore lacquer finish royal grey



anta grigio reale (opz.595)
royal grey door (opt. 595)

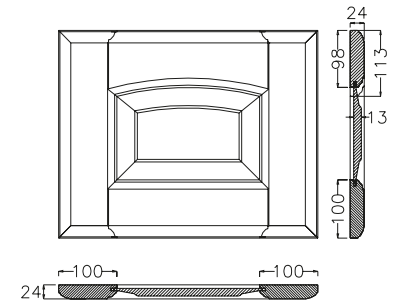


frontale cestone
grigio reale (opz.595)
deep drawer front
royal grey (opt. 595)



frontale cassetto
grigio reale (opz.595)
drawer front
royal grey (opt. 595)

SP. 24 MM



ante vetro in frassino laccato a poro aperto grigio reale
glass doors ash with open-pore lacquer finish royal grey



vetro molato satinato
(opz.595)
ground and frosted
(opt. 595)



vetro molato bronzo
(opz.595B)
ground and bronzed
(opt. 595B)



vetro molato fumè
(opz.595F)
ground and smoked
(opt. 595F)



vetro molato satinato
(opz.595)
ground and frosted
(opt. 595)

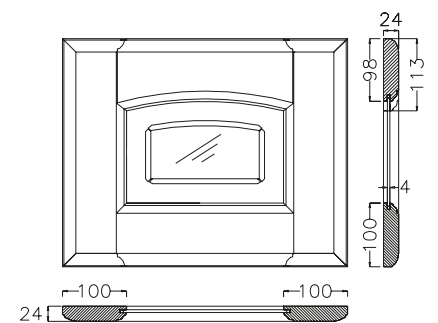


vetro molato bronzo
(opz.595B)
ground and bronzed
(opt. 595B)



vetro molato fumè
(opz.595F)
ground and smoked
(opt. 595F)

SP. 24 MM



cod. **404**

VERONICA

elementi da 15 con piastrelle 10x10

15 cm elements with 10x10 tiles

Serie: SASSI DEL PIAVE

Range: SASSI DEL PIAVE



botticino
(opz.120)
botticino



travertino noce
(opz.125)
walnut travertine



scabas
(opz.110)
scabas



giallo dorè
(opz.112)
golden yellow



travertino chiaro
(opz.127)
light travertine

cod. **404**

VERONICA

elementi con fresata

elements with groove



frassino bianco decapè (opz.583)
pickled white ash (opt. 583)



frassino argilla decapè grigio (opz.587)
pickled clay grey ash (opt. 587)



**indica laccato bianco assoluto
decapè grigio (opz.588)**
lacquered white absolute pickled
grey indica (opt. 588)



indica tinto noce (opz.589)
walnut-stained indica (opt. 589)

N.B.: disponibile nelle finiture bianco decapè (opz.583), argilla decapè grigio (opz.587),
bianco assoluto decapato grigio (opz.588), tinto noce (opz.589)

Note: available for finishes pickled white (opt.583), pickeld clay grey (opt.587),
absolute white pickled grey (opt.588), walnut stained (opt.589)

cod. **404**

VERONICA

elementi con fresata

elements with groove



frassino bianco artico (opz.590)
pickled arctic white (opt. 590)



frassino cammello (opz.592)
pickled camel (opt. 592)



frassino grigio fumo (opz.594)
pickled smoke grey (opt. 594)



frassino sahara (opz.591)
pickled sahara (opt. 591)



frassino grigio luce (opz.593)
pickled light grey (opt. 593)



frassino piombo (opz.598)
pickled lead (opt. 598)



frassino grigio reale (opz.595)
pickled royal grey (opt. 595)

cornici sagomate

shaped frame



grigio luce (opz.593)
light grey (opt. 593)

N.B.: disponibile nelle finiture bianco artico (opz.590), cammello (opz.592), grigio fumo (opz.594), sahara (opz.591), grigio reale (opz.595), piombo (opz.598)

Note: available or finishes arctic white (opt.590), camel (opt.592), smoke grey (opt.594), sahara (opt.591), royal grey (opt.595), lead (opt.598)

MANIGLIE HANDLES

DI SERIE STANDARD



Maniglia 255P finitura piombo spazzolato
passo 160 mm
Handle 255P brushed lead finish
160 mm centre-to-centre distance



Pomo 255PP finitura piombo spazzolato
utilizzato per elementi da 15
con maniglia 255P
Knob hole 255PP brushed lead finish
used for 15 cm elements with handle 255P



Maniglia 255N finitura nichel satinato
passo 160 mm
Handle 255N nickel satin finish
160 mm centre-to-centre distance



Pomo 255NP finitura nichel satinato
utilizzato per elementi da 15
con maniglia 255N
Knob hole 255NP nickel satin finish
used for 15 cm elements with handle 255N

A RICHIESTA ON REQUEST



Maniglia 255R finitura rame antico
passo 160 mm
Handle 255R antique copper finish
160 mm centre-to-centre distance



Pomo 255RP finitura rame antico
utilizzato per elementi da 15
con maniglia 255R
Knob hole 255RP antique copper finish
used for 15 cm elements with handle 255R



Maniglia 255T finitura ottone antico
passo 160 mm
Handle 255T antique brass finish
160 mm centre-to-centre distance



Pomo 255TP finitura ottone antico
utilizzato per elementi da 15
con maniglia 255T
Knob hole 255TP antique brass finish
used for 15 cm elements with handle 255T

A RICHIESTA ON REQUEST



Maniglia 257N finitura nichel satinato
passo 160 mm
Handle 257N nickel satin finish
160 mm centre-to-centre distance



Pomo 257NP finitura nichel satinato
utilizzato per elementi da 15
con maniglia 257N
Knob hole 257NP nickel satin finish
used for 15 cm elements with handle 257N



Maniglia 257S finitura silver dark
passo 160 mm
Handle 257S dark silver finish
160 mm centre-to-centre distance



Pomo 257SP finitura silver dark
utilizzato per elementi da 15
con maniglia 257S
Knob hole 257SP dark silver finish
used for 15 cm elements with handle 257S

A RICHIESTA ON REQUEST



Maniglia K91 finitura canna di fucile
spazzolato
passo 160 mm
Handle K91 brushed gunmetal finish
160 mm centre-to-centre distance



Pomo 240P finitura canna di fucile
spazzolato
utilizzato per elementi da 15
con maniglia K91
Knob hole 240P brushed gunmetal finish
used for 15 cm elements with handle K91



Maniglia K91G finitura oro
passo 160 mm
Handle K91G gold finish
160 mm centre-to-centre distance



Pomo K91GP finitura oro
utilizzato per elementi da 15
con maniglia K91G
Knob hole K91GP gold finish
used for 15 cm elements with handle K91G

MANIGLIE HANDLES

VERONICA

A RICHIESTA ON REQUEST



Maniglia 263 finitura nichel opaco con swarovski
passo 128 mm
Handle 263 matt nickel finish with swarosky crystals
128 mm centre-to-centre distance



Pomo 263P finitura nichel opaco con swarovski
utilizzata per elementi da 15 con maniglia 263
Knob 263P matt nickel finish with swarosky crystals used for W15 elements with handle 263

A RICHIESTA ON REQUEST



Maniglia 266 finitura argento orientale
passo 128 mm
Handle 266 oriental silver finish
128 mm centre-to-centre distance



Maniglia 266/1 finitura argento orientale
passo 64 mm
utilizzata per elementi da 15
Handle 266/1 oriental silver finish
64 mm centre-to-centre distance used for W15 elements

A RICHIESTA ON REQUEST



Maniglia 264 finitura argento antico
passo 128 mm
Handle 264 antique silver finish
128 mm centre-to-centre distance



Pomo 264P finitura argento antico
utilizzata per elementi da 15 con maniglia 264
Knob 264P antique silver finish used for W15 elements with handle 264

A RICHIESTA ON REQUEST



Maniglia 256P finitura peltro spazzolato
passo 160 mm
Handle 256P brushed pewter finish
160 mm centre-to-centre distance



Pomo 256PP finitura peltro spazzolato
utilizzato per elementi da 15 con maniglia 256P
Knob hole 256PP brushed pewter finish used for 15 cm elements with handle 256P

A RICHIESTA ON REQUEST



Maniglia 224 finitura argento antico
passo 128 mm
Handle 224 with antique silver finish
128 mm centre-to-centre distance



Maniglia 225 finitura argento antico
passo 128 mm
Handle 225 with antique silver finish
128 mm centre-to-centre distance



Pomo 224P finitura argento antico
utilizzata per elementi da 15 con maniglia 224/225
Knob hole 224P with antique silver finish used for 15 cm elements with handles 224/225



Pomo 620 in ceramica colore avorio
Knob hole 620 in ivory ceramic finish

A RICHIESTA ON REQUEST



Maniglia 227 finitura ottone brunito
passo 128 mm
Handle 227 with burnished brass finish
128 mm centre-to-centre distance



Maniglia 228 finitura ottone vecchio inserto avorio
passo 128 mm
Handle 228 with old brass finish with ivory insert
128 mm centre-to-centre distance



Pomo 228P finitura ottone vecchio
utilizzata per elementi da 15 con maniglia 227/228
Knob hole 228P with old brass finish used for 15 cm elements with handle 227/228

strutture carcasses

NEW



lino effetto tela (opz.8920)
 schiena e ripiano conchiglia (opz.8910)
 linen melamine-coated canvas effect (opt.8920)
 shell back panel and shelf (opt.8910)

NEW



juta effetto tela (opz.9490)
 schiena e ripiano visone (opz.948M)
 jute melamine-coated canvas effect (opt.9490)
 mink back panel and shelf (opt.948M)

NEW



grigio effetto tela (opz.9695)
 schiena e ripiano argilla (opz.9690)
 grey melamine-coated canvas effect (opt.9695)
 clay back panel and shelf (opt.9690)



conchiglia (opz.8910)
 schiena e ripiano conchiglia (opz.8910)
 shell (opt.8910)
 shell back panel and shelf (opt.8910)



visone (opz.948M)
 schiena e ripiano visone (opz.948M)
 mink (opt.948M)
 mink back panel and shelf (opt.948M)



bianco (opz.001)
 schiena e ripiano bianco (opz.001)
 white (opt.001)
 white back panel and shelf (opt.001)



argilla (opz.9690)
 schiena e ripiano argilla (opz.9690)
 clay (opt.9690)
 clay back panel and shelf (opt.9690)



fango (opz.8860)
 schiena e ripiano fango (opz.8860)
 mud (opt.8860)
 mud back panel and shelf (opt.8860)



lavagna (opz.9620)
 schiena e ripiano lavagna (opz.9620)
 slate grey (opt.9620)
 slate grey back panel and shelf (opt.9620)



castagno tinto noce (opz.582)
 schiena e ripiano bianco (opz.001)
 walnut-stained chestnut (opt. 582)
 white back panel and shelf (opt.001)

mensole in laminato laminate shelves



conchiglia (opz.8910)
shell (opt.8910)



visone (opz.948M)
mink (opt.948M)



bianco (opz.001)
white (opt.001)



argilla (opz.9690)
clay (opt.9690)



fango (opz.8860)
mud (opt.8860)



lavagna (opz.9620)
slate grey (opt.9620)



castagno tinto noce (opz.582)
walnut-stained chestnut (opt.582)

mensole impialacciate veneered shelves



bianco decapè (opz.583)
pickled white (opt. 583)



argilla decapè grigio (opz.587)
pickled clay grey (opt. 587)



tinto bianco assoluto
decapè grigio (opz.588)
walnut white absolute
pickled grey (opt. 588)



tinto noce (opz.589)
walnut-stained (opt. 589)



bianco artico (opz.590)
arctic white (opt. 590)



cammello (opz.592)
camel (opt. 592)



grigio fumo (opz.594)
smoke grey (opt. 594)



sahara (opz.591)
sahara (opt. 591)



grigio luce (opz.593)
light grey (opt. 593)



piombo (opz.598)
lead (opt. 598)



grigio reale (opz.595)
royal grey (opt. 595)

zoccoli in pvc H 15 pvc plinths H 15



bianco decapè (opz.003)
pickled white (opt. 003)



argilla decapè grigio (opz.587)
pickled clay grey (opt. 587)



tinto bianco assoluto
decapè grigio (opz.588)
walnut white absolute pickled
grey (opt. 588)



tinto noce (opz.589)
walnut-stained (opt. 589)



bianco artico (opz.590)
arctic white (opt. 590)



cammello (opz.592)
camel (opt. 592)



grigio fumo (opz.594)
smoke grey (opt. 594)



tortora (opz.2456)
dove grey (opt. 2456)



grigio luce (opz.593)
light grey (opt. 593)



piombo (opz.598)
lead (opt. 598)



grigio reale (opz.595)
royal grey (opt. 595)

zoccolo impiallacciati H 15 veneered plinth H 15



bianco decapè (opz.583)
pickled white (opt. 583)



argilla decapè grigio (opz.587)
pickled clay grey (opt. 587)



tinto bianco assoluto
decapè grigio (opz.588)
walnut white absolute pickled
grey (opt. 588)



tinto noce (opz.589)
walnut-stained (opt. 589)



bianco artico (opz.590)
arctic white (opt. 590)



cammello (opz.592)
camel (opt. 592)



grigio fumo (opz.594)
smoke grey (opt. 594)



sahara (opz.591)
sahara (opt. 591)



grigio luce (opz.593)
light grey (opt. 593)



piombo (opz.598)
lead (opt. 598)



grigio reale (opz.595)
royal grey (opt. 595)

VERONICA

cornici cappello top cornices



bianco decapè (opz.583)
pickled white (opt. 583)



argilla decapè grigio (opz.587)
pickled clay grey (opt. 587)



tinto bianco assoluto decapè
grigio (opz.588)
walnut white absolute pickled
grey (opt. 588)



tinto noce (opz.589)
walnut-stained (opt. 589)



bianco artico (opz.590)
arctic white (opt. 590)



cammello (opz.592)
camel (opt. 592)



grigio fumo (opz.594)
smoke grey (opt. 594)



sahara (opz.591)
sahara (opt. 591)



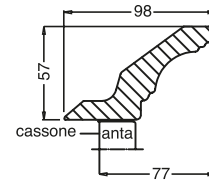
grigio luce (opz.593)
light grey (opt. 593)



piombo (opz.598)
lead (opt. 598)



grigio reale (opz.595)
royal grey (opt. 595)



disegno cornice design cornice



VERONICA

APERTURA VERTICALE

L'anta ad apertura verticale, potendo essere sollevata completamente verso l'alto, consente un accesso totale all'interno del pensile. Ideale per l'impiego in mobili a colonna per nascondere ad esempio apparecchi elettrici, o pensili con corpi mobili sovrastanti, ha la chiusura ammortizzata e la possibilità di regolare la forza di tenuta in base al peso del frontale.

VERTICAL OPENING

Doors with vertical opening movement can be fully raised to fully access the inside of the wall unit.

Ideal for use on column units to conceal electrical appliances for examples, or on wall units surmounted by mobile units.

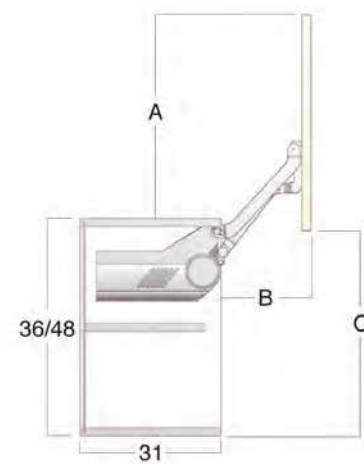
The closing movement is cushioned and the closing force can be adjusted according to the weight of the front door.



**DI SERIE
STANDARD**



**MOTORIZZATO
SERVO-DRIVE
SERVO-DRIVE
MOTORISED
(Opz.007)**



	A	B	C	
H 36	34	23,5	34,5	
H 48	43	28,5	43,5	

PENSILE CON APERTURA ANTE A PACCHETTO

Il meccanismo d'apertura ante a pacchetto è idoneo sia sul pensile H 72 che H 96; la regolazione della forza di apertura può essere impostata in modo esatto in base ai pesi dei frontali, la chiusura è ammortizzata e la cerniera centrale clip si contraddistingue per l'innovativa tecnologia che garantisce la sicurezza per le dita.

WALL UNIT WITH LIFT-UP FOLDING DOOR

The lift-up folding door opening mechanism is suitable for wall units with H 72 or H 96; the opening force can be adjusted precisely according to the weight of the fronts, while the closing movement is cushioned and the central clip-on hinge features innovative technology for safeguarding the fingers.



H 72

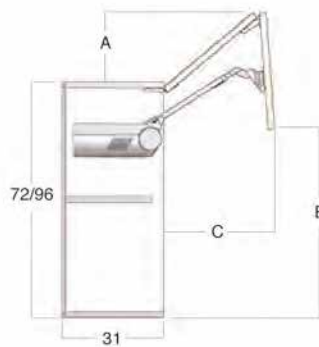


H 96

**DI SERIE
STANDARD**

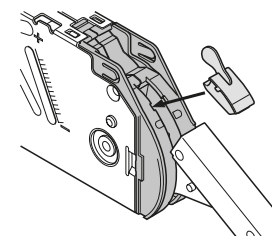
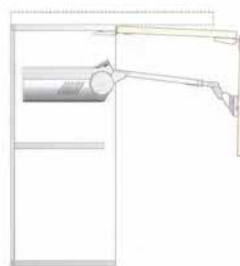


**MOTORIZZATO SERVO-DRIVE
SERVO-DRIVE MOTORISED (Opz.007)**



	A	B	C
H 72	16,5	54	41
H 96	20	69	53

**SCHEMA MONTAGGIO
LIMITATORE
LIMITER INSTALLATION
DIAGRAM**



Per evitare l'interferenza dell'anta in fase di apertura con cornici o mensole, si può richiedere il limitatore dell'angolo di apertura cod. 5620005

In order to avoid that the door interferes with cornices or shelves during the opening movement, it is possible to request an opening angle limiter: code 5620005

PENSILE CON APERTURA A RIBALTA

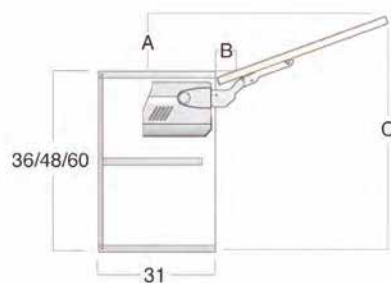
Le ante aprendosi verso l'alto consentono di avere un' ampia visione d'insieme all'interno del mobile. In questo modo è possibile un comodo accesso agli oggetti contenuti al suo interno e, dal punto di vista ergonomico, molto vantaggioso. La regolazione della forza di apertura può essere impostata in modo esatto in base al peso del frontale. Grazie all'arresto progressivo le ante si fermano in qualsiasi posizione; in questo modo la maniglia è sempre facilmente raggiungibile. La chiusura è ammortizzata e un'unica manovra è sufficiente per regolare il frontale tridimensionalmente grazie all'assenza di cerniere e al sistema di aggancio clip.

WALL UNIT WITH FLAP DOOR

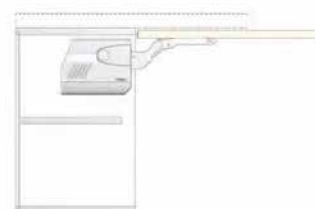
The doors that open upwards guarantee ample overall visibility inside the cabinet. In this way, all objects housed inside the cabinet can be comfortably accessed, making the system highly advantageous from an ergonomic perspective. The opening force can be adjusted precisely depending on the weight of the front. The doors stop in any position thanks to the gradual stopping movement; in this way, the handle is always easily accessible. The closing movement is cushioned and a single manoeuvre is required to three-dimensionally adjust the front, thanks to the clip-on system and the absence of hinges.



DI SERIE STANDARD



	A	B	C
H 36	11,5	3,5	37
H 48	15	3,5	49
H 60	18,5	3,5	61



Per evitare l'interferenza dell'anta in fase di apertura con cornici o mensole, si può richiedere il limitatore dell'angolo di apertura cod. 5620010

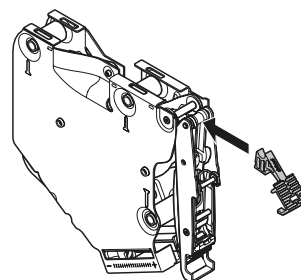
In order to avoid that the door interferes with cornices or shelves during the opening movement, it is possible to request an opening angle limiter: code 5620010

MOTORIZZATO SERVO-DRIVE SERVO-DRIVE MOTORISED (Opz.007)



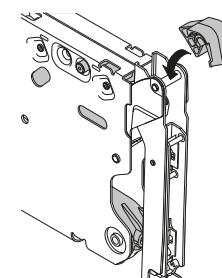
SCHEMA MONTAGGIO LIMITATORE PER RIBALTA H 36

FLAP DOOR LIMITER INSTALLATION DIAGRAM H 36



SCHEMA MONTAGGIO LIMITATORE PER RIBALTA H 48

FLAP DOOR LIMITER INSTALLATION DIAGRAM H 48



TIPOLOGIE CAPPE CAMINO

CHIMNEY HOOD TYPES

cappa tipo "S"

chimney type "S"



cappa tipo "SN"

chimney type "SN"



cappa tipo "I"

chimney type "I"



cappa tipo "IN"

chimney type "IN"



TIPOLOGIE CAPPE CAMINO

CHIMNEY HOOD TYPES

cappa tipo "L"

chimney type "L"



cappa tipo "LN"

chimney type "LN"



cappa tipo "E"

chimney type "E"



cappa tipo "AV"

chimney type "AV"



TIPOLOGIE CAPPE CAMINO

CHIMNEY HOOD TYPES

cappa isola

chimney island



cappa isola con piastrelle

chimney island with tiles



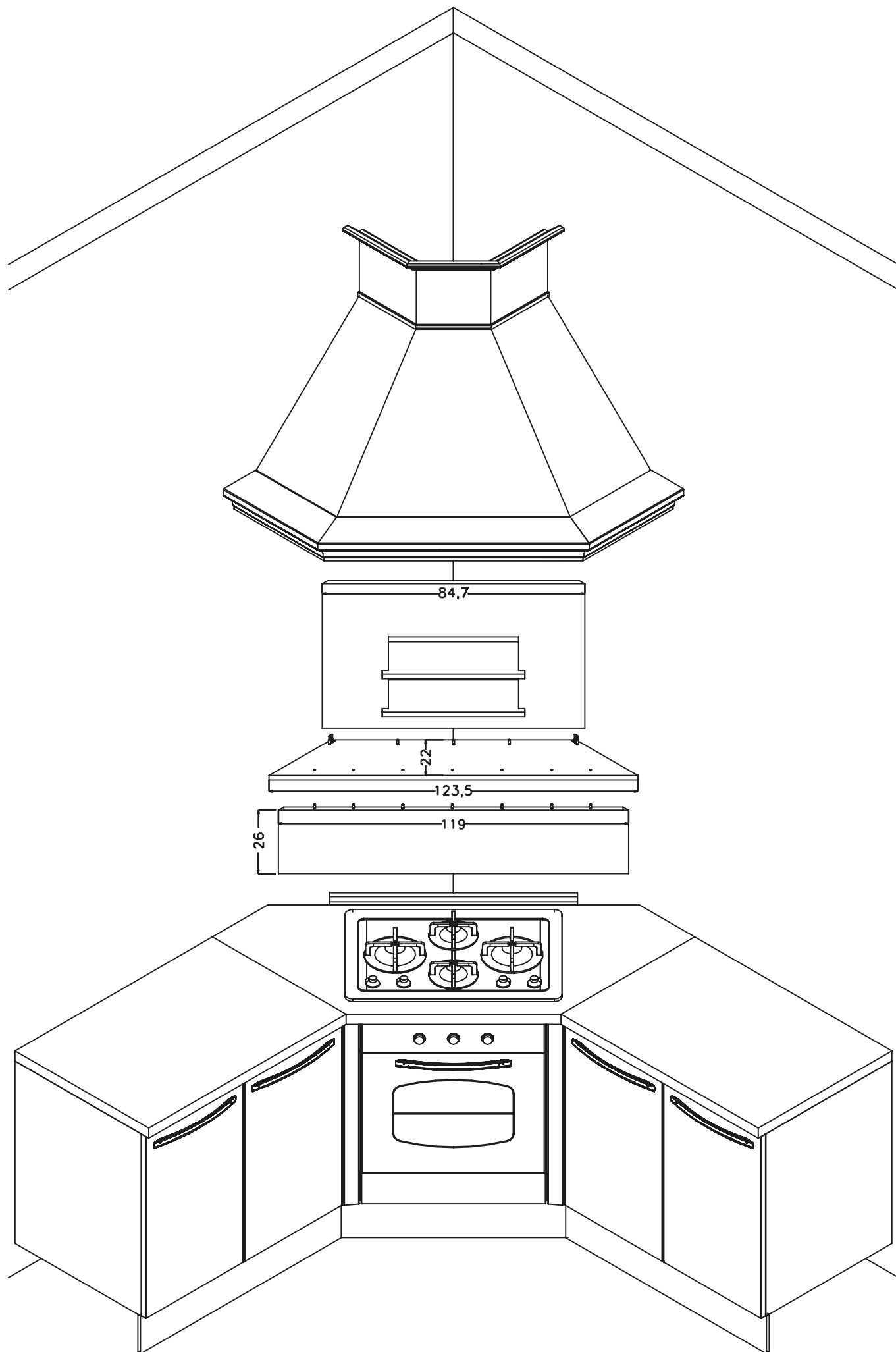
cappa isola tipo "AV"

chimney island type "AV"



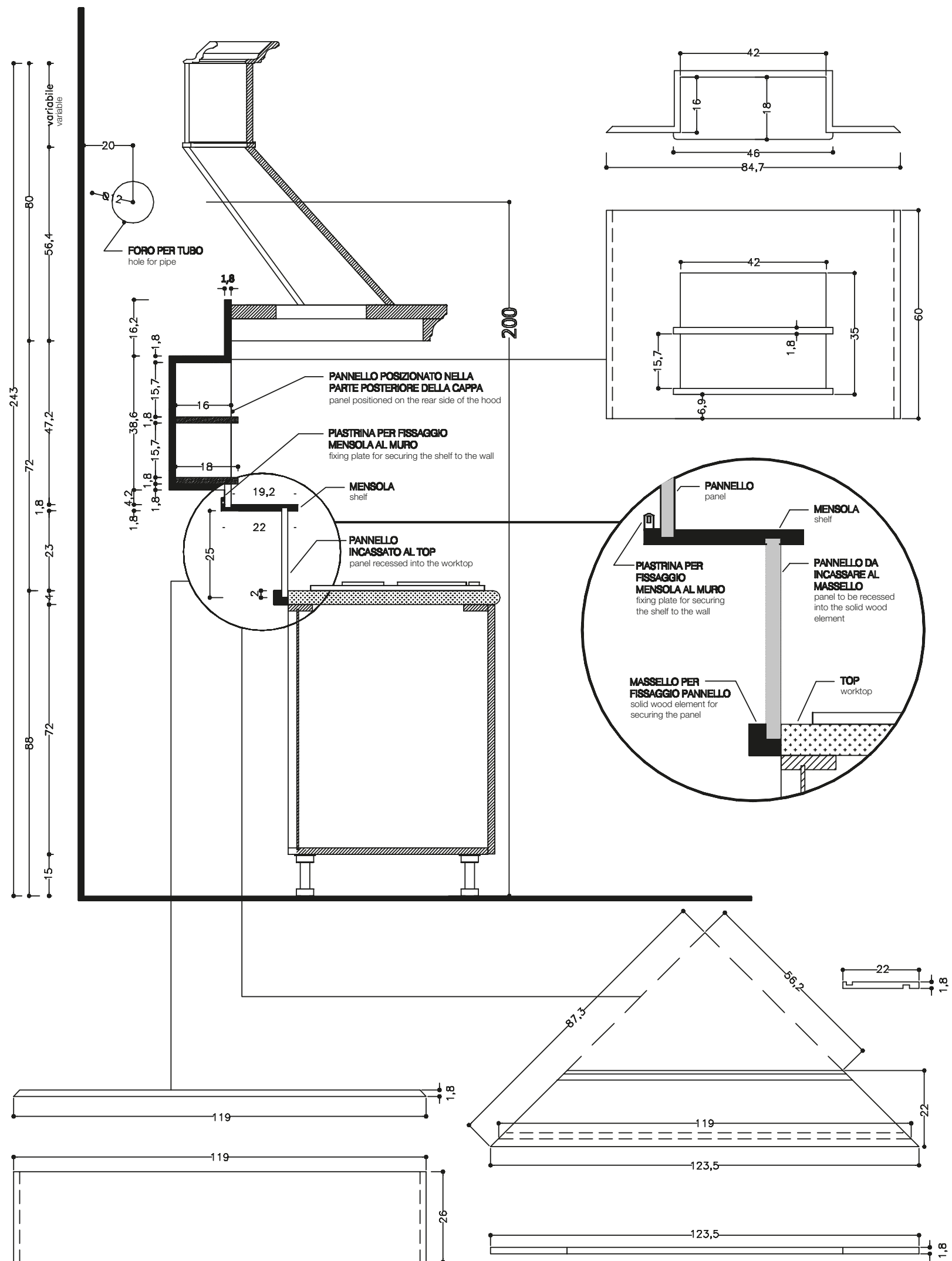
SCHEMA CAPPA CAMINETTO AD ANGOLO

CORNER CHIMNEY HOOD DIAGRAM



SCHEMA CAPPA CAMINETTO AD ANGOLO

CORNER CHIMNEY HOOD DIAGRAM



COLORI PIASTRELLE PER CAPPE

TILE COLOURS FOR HOODS

Serie: SASSI DEL PIAVE

Range: SASSI DEL PIAVE



botticino
(opz.120)
botticino



travertino noce
(opz.125)
walnut travertine



scabas
(opz.110)
scabas



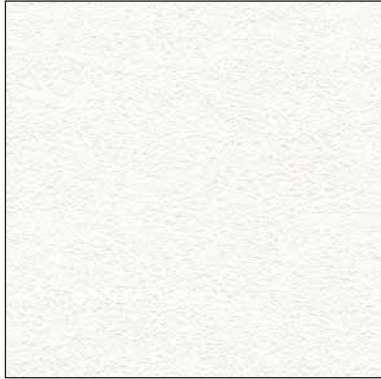
giallo dorè
(opz.112)
golden yellow



travertino chiaro
(opz.127)
light travertine

COLORI EFFETTO MURO PER CAMINI CAPPE

WALL EFFECT COLOURS FOR CHIMNEY HOODS



BIANCO ASSOLUTO
a rullo (opz.R005)
frattonato (opz.F005)

ABSOLUTE WHITE
for roller (opt.R005)
for trowel (opt.F005)



CIPRIA
a rullo (opz.R114)
frattonato (opz.F114)

PALE PINK
for roller (code R114)
for trowel (code F114)



PANNA
a rullo (opz.R012)
frattonato (opz.F012)

CREAM
for roller (code R012)
for trowel (code F012)



CORDA
a rullo (opz.R125)
frattonato (opz.F125)

JUTE
for roller (code R125)
for trowel (code F125)



GRIGIO TRAFFICO
a rullo (opz.R260)
frattonato (opz.F260)

TRAFFIC GREY
for roller (opt.R260)
for trowel (opt.F260)



GRIGIO PERLA
a rullo (opz.R255)
frattonato (opz.F255)

PEARL GREY
for roller (code R255)
for trowel (code F255)



GIALLO CHIARO
a rullo (opz.R023)
frattonato (opz.F023)

LIGHT YELLOW
for roller (code R023)
for trowel (code F023)



CUOIO
a rullo (opz.R250)
frattonato (opz.F250)

LEATHER
for roller (code R250)
for trowel (code F250)

VIVI IL LIVING

LIVE THE LIVING

La grande componibilità degli elementi pensili e delle basi sospese consente di creare composizioni living perfettamente coordinate con la cucina.

Versatile fitting solutions for living room wall units and suspended base units coordinated with kitchen spaces.

LIVING LV 01

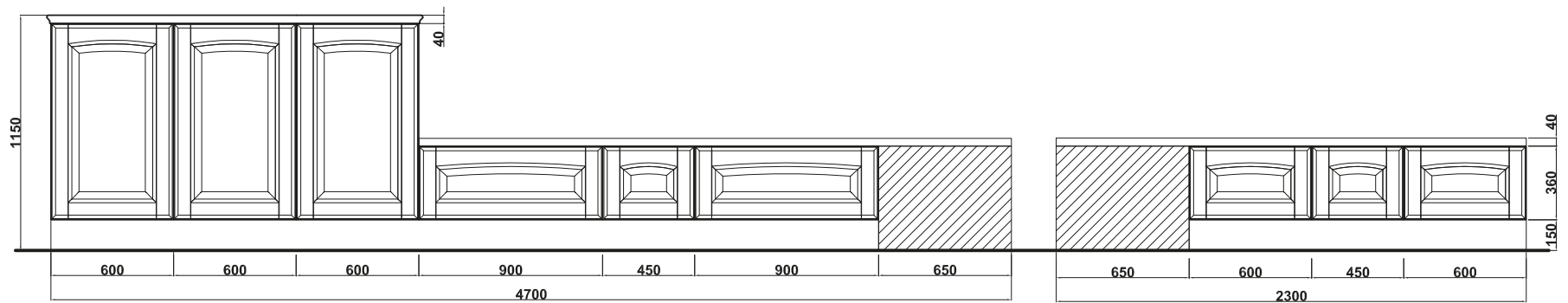


ANTA
door

BIANCO ASSOLUTO
DECAPÈ GRIGIO
absolute white pickled grey

STRUTTURA
carcass

GRIGIO EFFETTO TELA
grey canvas effect



NR. ELEMENTI	DESCRIZIONE	CODICE
2	Colonna L 60 H 96 P 60,1 apertura push-pull, 1 fianco come anta	E6040601/2
1	Colonna L 60 H 96 P 60,1 apertura push-pull	E6040601/2
2	Base living L 90 H 36 P 60,1, cestone apertura tip-on	E4204900
2	Base living L 45 H 36 P 60,1, apertura push-pull	E4026451/2
1	Base living L 60 H 36 P 60,1, apertura push-pull	E4026601/2
1	Base living L 60 H 36 P 60,1, apertura push-pull, 1 fianco come anta	E4026601/2
1	Base angolo 65x65 H 36 P 60,1 (solo angolare)	E4480360
1	Top L 183,8 P 62 SP.4 agglomerato di marmo grigio carnico	al ml TAMS406
2	Maggiorazione finitura laterale come frontale top	T9LFT
1	Mensola L 290 P 61 SP.3,8 impiallacciata come anta	al ml 091729
1	Mensola L 169 P 61 SP.3,8 impiallacciata come anta	al ml 091729
1	Zoccolo L 606 H 15 impiallacciato come anta	al ml 092500
2	Zoccolo laterale H 15 con angolare impiallacciato come anta	092521/2
1	Giunzione 90° H 15 per zoccolo impiallacciato come anta	092550
1	Giunzione lineare H 15 per zoccolo impiallacciato come anta	092551
No. of ELEMENTS	DESCRIPTION	CODE
2	Column W 60 H 96 D 60,1 push-pull opening, 1 side same as door	E6040601/2
1	Column W 60 H 96 D 60,1 push-pull opening	E6040601/2
2	Living base unit W 90 H 36 D 60,1, deep drawer tip-on opening	E4204900
2	Living base unit W 45 H 36 D 60,1, push-pull opening	E4026451/2
1	Living base unit W 60 H 36 D 60,1, push-pull opening	E4026601/2
1	Living base unit W 60 H 36 D 60,1 push-pull opening, 1 side same as door	E4026601/2
1	Corner base unit W 65x65 H 36 D 60,1 (only angular filler)	E4480360
1	Marble agglomerate grey carnico worktop W 183,8 D 62 TH.4	per lm TAMS406
2	Surcharge for side profile to match front profile worktop	T9LFT
1	Veneered shelf W 290 D 61 TH.3,8 same colour as door	per lm 091729
1	Veneered shelf W 169 D 61 TH.3,8 same colour as door	per lm 091729
1	Veneered plinth W 606 H 15 same colour as door	per lm 092500
2	Veneered lateral plinth H 15 with angular same colour as door	092521/2
1	Junction at 90° for veneered H 15 same colour as door	092550
1	Linear junction for veneered plinth H 15 same colour as door	092551

LIVING LV 02

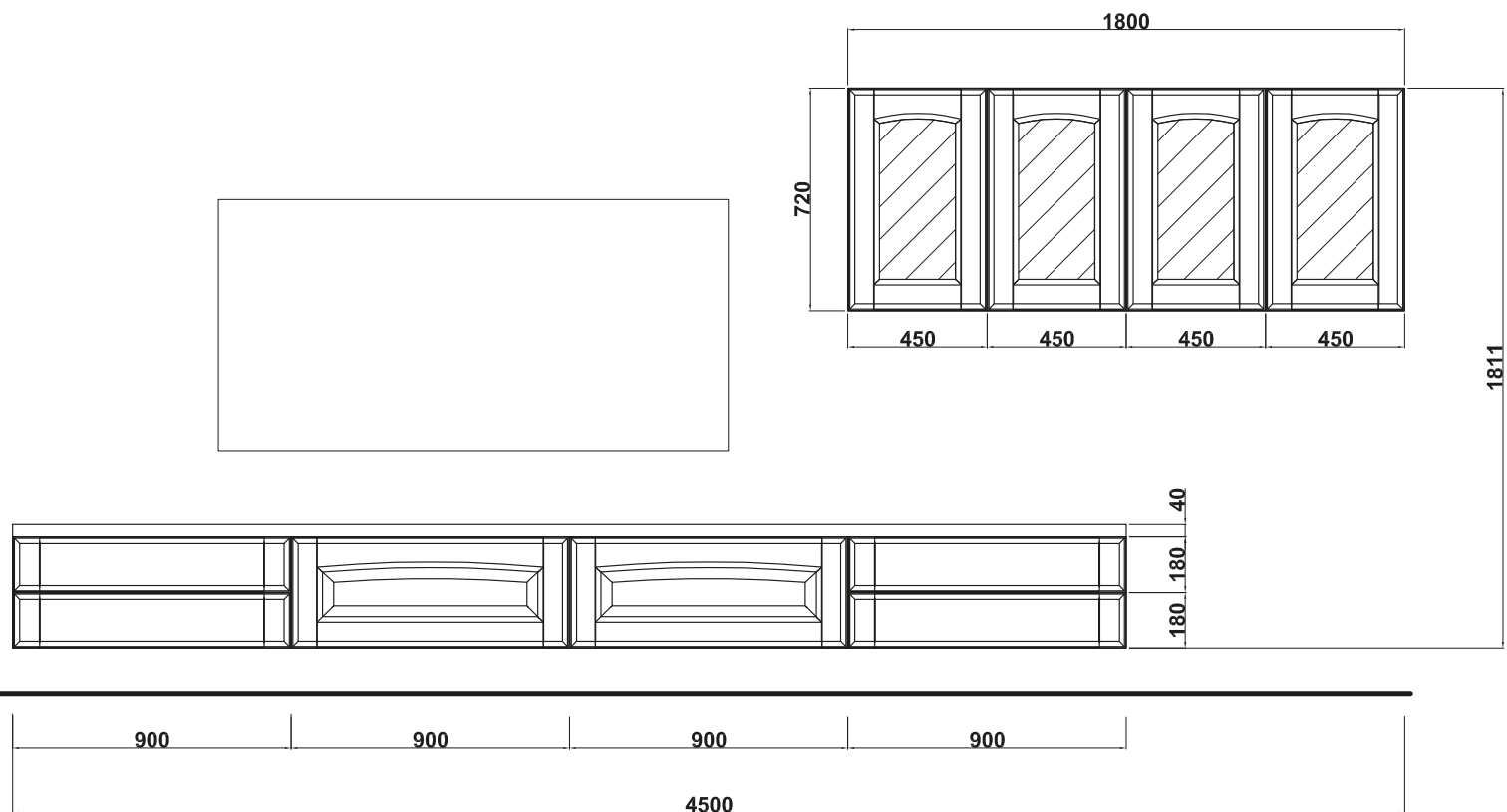


ANTA
door



STRUTTURA
carcass





NR. ELEMENTI	DESCRIZIONE	CODICE
2	Pensile vetro molato L 90 H 72 P 33,6 apertura push-pull, ripiano in vetro, 1 fianco come anta	E1010900
2	Base living sospesa L 90 H 36 P 50,6 2 cassetti apertura tip-on, 1 fianco come anta	EBL73900
2	Base living sospesa L 90 H 36 P 50,6 1 cestone apertura tip-on	EBL75900
2	Top L 180 P 50,6 SP.4 dehton entzo opaco profilo P	al ml TDEP405
2	Maggiorazione finitura laterale come frontale top	T9LFT
1	Asta appendipensili ml 2	08610501
No. of ELEMENTS	DESCRIPTION	CODE
2	Bevelled glass wall unit W 90 H 72 D 33,6 push-pull opening, glass shelf, 1 side same as door	E1010900
2	Hanging living base unit W 90 H 36 D 50,6 2 drawers tip-on opening, 1 side same as door	EBL73900
2	Hanging living base unit W 90 H 36 D 50,6 1 deep drawer tip-on opening	EBL75900
2	Dekton matt entzo P profile worktop W 180 D 50,6 TH.4	per lm TDEP405
2	Surcharge for side profile to match front profile worktop	T9LFT
1	Wall unit fixing strip lm 2	08610501

LIVING LV 03

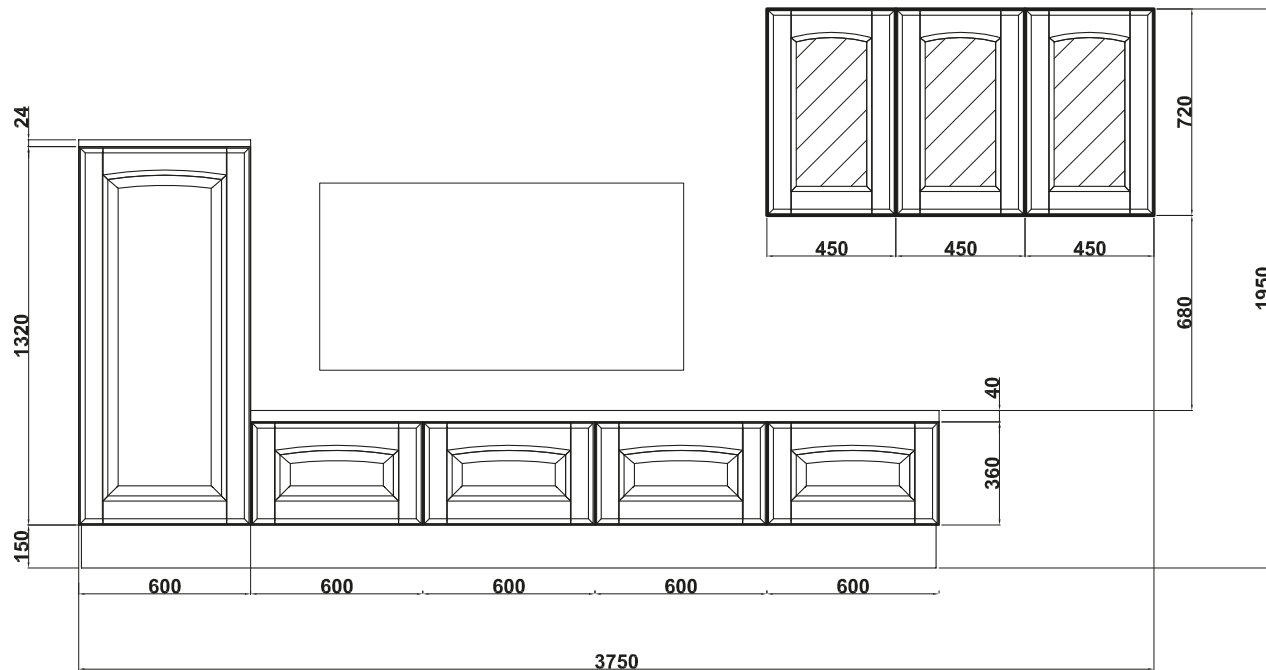


ANTA
door



STRUTTURA
carcass





NR. ELEMENTI	DESCRIZIONE	CODICE
2	Pensile vetro molato L 45 H 72 P 33,6 apertura push-pull, ripiano in vetro, 1 fianco come anta	E1010451/2
1	Pensile vetro molato L 45 H 72 P 33,6 apertura push-pull, ripiano in vetro	E1010451/2
1	Colonna L 60 H 132 P 60,1 apertura push-pull, fianchi come anta	E6050601/2
3	Base living L 60 H 36 P 60,1 apertura push-pull	E4026601/2
1	Base living L 60 H 36 P 60,1 apertura push-pull, 1 fianco come anta	E4026601/2
1	Top living L 60 P 60,1 SP. 2,4 impiallacciato come anta	al ml TIL248
1	Top L 240 P 61 SP. 4 laminam arabescato opaco	al ml TLNP405
2	Maggiorazione finitura laterale come frontale top	T9LFT
1	Zoccolo L 300 H 15 impiallacciato come anta	al ml 092500
2	Zoccolo laterale H 15 con angolare impiallacciato come anta	092521/2
1	Asta appendipensili ml 2	08610501
No. of ELEMENTS	DESCRIPTION	CODE
2	Bevelled glass wall unit W 45 H 72 D 33,6 push-pull opening, glass shelf, 1 side same as door	E1010451/2
1	Bevelled glass wall unit W 45 H 72 D 33,6 push-pull opening, glass shelf	E1010451/2
1	Column W 60 H 132 D 60,1 push-pull opening, sides same as door	E6050601/2
3	Living base unit W 60 H 36 D 60,1 push-pull opening	E4026601/2
1	Living base unit W 60 H 36 D 60,1 push-pull opening, 1 side same as door	E4026601/2
1	Veneered living worktop W 60 D 60,1 TH.2,4 same colour as door	per lm TIL248
1	Laminam matt arabesque worktop W 240 D 61 TH.4	per lm TLNP405
2	Surcharge for side profile to match front profile worktop	T9LFT
1	Veneered plinth W 300 H 15 same colour as door	per lm 092500
2	Veneered lateral plinth H 15 with angular same colour as door	092521/2
1	Wall unit fixing strip lm 2	08610501

LIVING LV 04

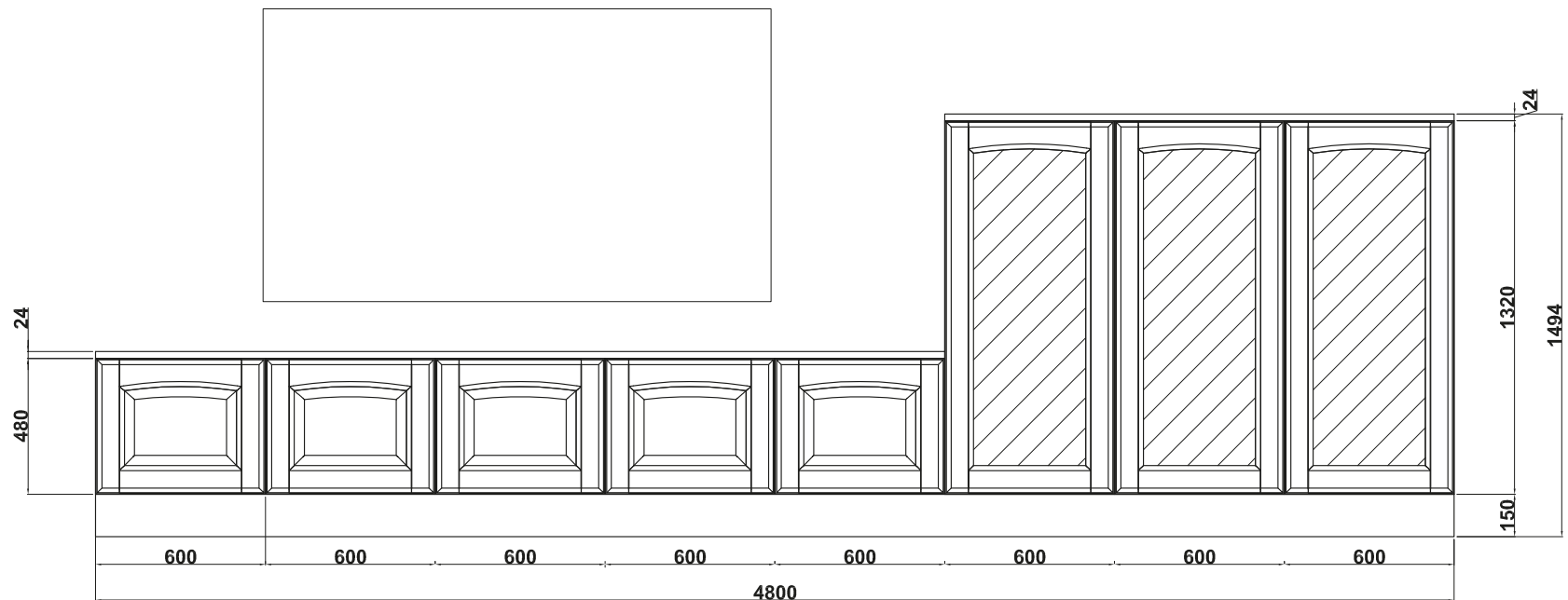


ANTA
door



STRUTTURA
carcass





NR. ELEMENTI	DESCRIZIONE	CODICE
2	Colonna vetro molato L 60 H 132 P 60,1 apertura push-pull, ripiani in vetro, 1 fianco come anta	E6180601/2
1	Colonna vetro molato L 60 H 132 P 60,1 apertura push-pull, ripiani in vetro	E6180601/2
4	Base living L 60 H 48 P 60,1 apertura push-pull	E4028601/2
1	Base living L 60 H 48 P 60,1 apertura push-pull, 1 fianco come anta	E4028601/2
1	Top living L 180 P 60,1 SP. 2,4 impiallacciato come anta	al ml TIL248
1	Top living L 300 P 60,1 SP. 2,4 impiallacciato come anta	al ml TIL248
1	Zoccolo L 480 H 15 impiallacciato come anta	al ml 092500
2	Zoccolo laterale H 15 con angolare impiallacciato come anta	092521/2
1	Giunzione lineare H 15 per zoccolo impiallacciato come anta	092551
No. of ELEMENTS	DESCRIPTION	CODE
2	Bevelled glass column W 60 H 132 D 60,1 push-pull opening, glass shelves, 1 side same as door	E6180601/2
1	Bevelled glass column W 60 H 132 D 60,1 push-pull opening, glass shelves	E6180601/2
4	Living base unit W 60 H 48 D 60,1 push-pull opening	E4028601/2
1	Living base unit W 60 H 48 D 60,1 push-pull opening, 1 side same as door	E4028601/2
1	Veneered living worktop W 180 D 60,1 TH.2,4 same colour as door per lm	TIL248
1	Veneered living worktop W 300 D 60,1 TH.2,4 same colour as door per lm	TIL248
1	Veneered plinth W 480 H 15 same colour as door per lm	092500
2	Veneered lateral plinth H 15 with angular same colour as door	092521/2
1	Linear junction for veneered plinth H 15 same colour as door	092551

LIVING LV 05

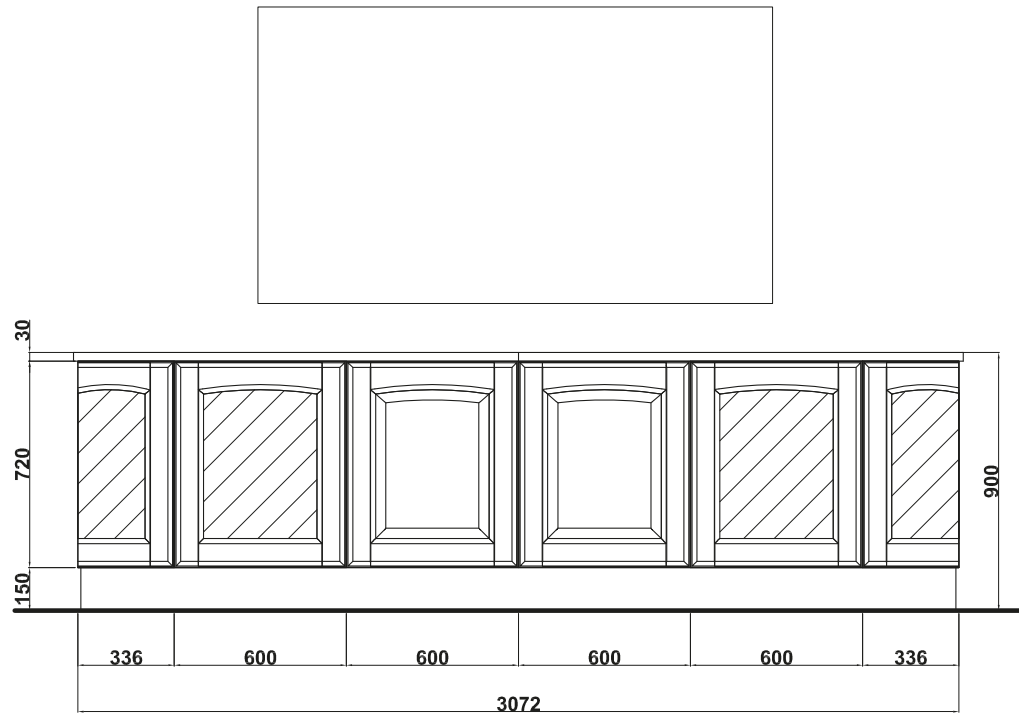


ANTA
door



STRUTTURA
carcass





NR. ELEMENTI	DESCRIZIONE	CODICE
2	Base terminale L 33,6 H 72 P 60,1, anta vetro curva + anta chiusa, apertura push-pull, predisposta per faretto, 2 ripiani vetro	E4663321/2
2	Faretto "ATOM" led finitura alluminio	08617086
1	Alimentatore per faretto "ATOM" 15W	08617150
2	Base L 60 H 72 P 60,1, anta vetro, apertura push-pull, 2 ripiani vetro	E4014601/2
4	Profilo led L 60 per ripiano vetro	08616233
1	Alimentatore per profilo led 50W	08616192
2	Base L 60 H 72 P 60,1, apertura push-pull	E4010601/2
2	Top L 154,5 P 61 SP.3 granito nero africa lucido	al ml TGRP305
2	Maggiorazione per lavorazione terminale stondato su top	T9TE2
1	Zoccolo L 240 H 15 impiallacciato come anta	al ml 092500
2	Zoccolo terminale curvo H 15 impiallacciato come anta	092541/2
2	Giunzione lineare H 15 per zoccolo impiallacciato come anta	092551

No. of ELEMENTS	DESCRIPTION	CODE
2	End base unit W 33,6 H 72 D 60,1 curved glass door + full door, push-pull opening, configured for spotlight, 2 glass shelves	E4663321/2
2	"ATOM" led spotlight aluminium finish	08617086
1	Power supply for "ATOM" spotlight 15W	08617150
2	Base unit W 60 H 72 D 60,1, glass door, push-pull opening, 2 glass shelves	E4014601/2
4	Led profile W 60 for glass shelf	08616233
1	Power supply for led profile 50W	08616192
2	Base unit W 60 H 72 D 60,1, push-pull opening	E4010601/2
2	Granite polished africa black worktop W 154,5 D 61 TH.3	per lm TGRP305
2	Rounded end unit surcharge for worktop	T9TE2
1	Veneered plinth W 240 H 15 same colour as door	per lm 092500
2	Veneered curved terminal plinth H 15 same colour as door	092541/2
2	Veneered junction for plinth H 15 same colour as door	092551

LIVING LV 06



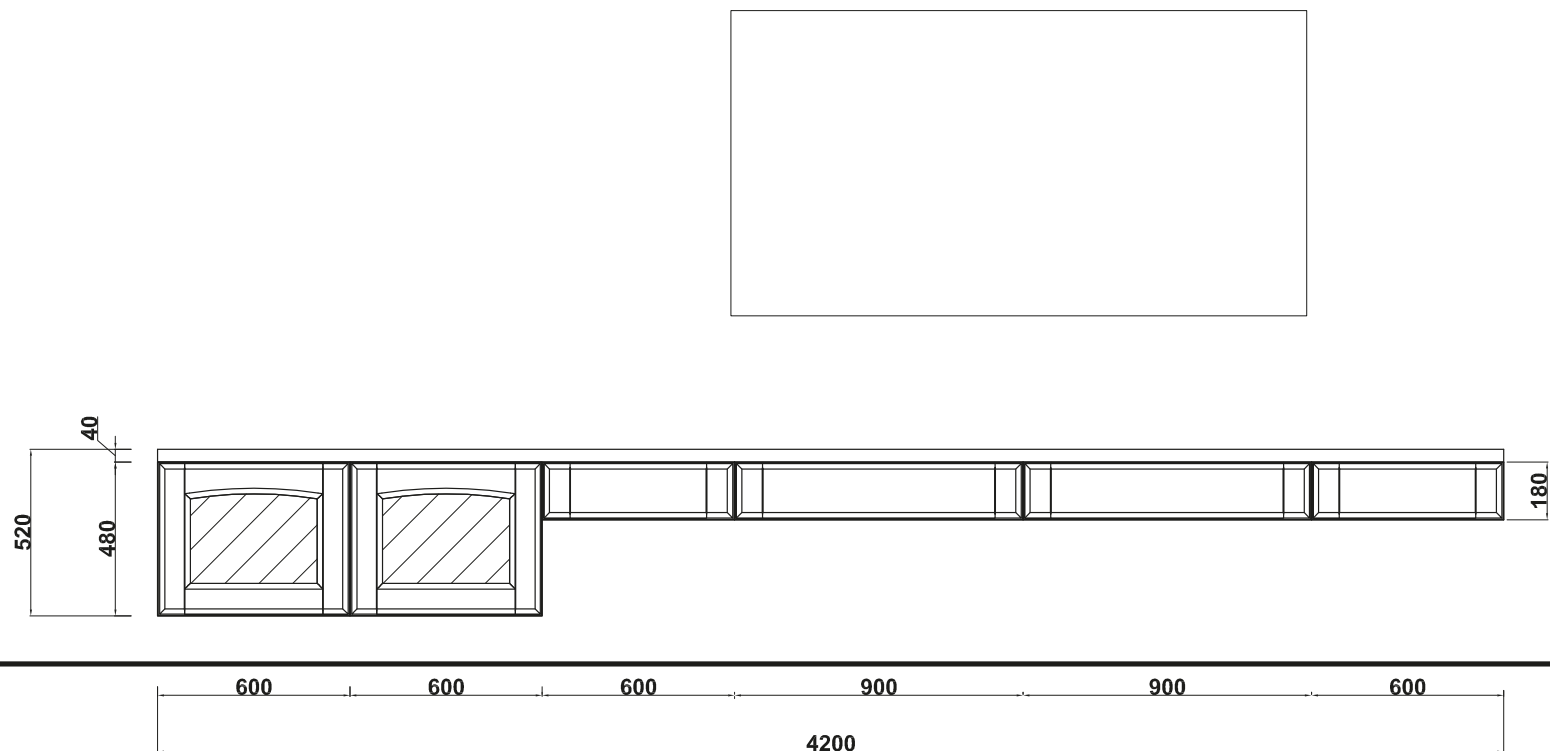
ANTA
door



STRUTTURA
carcass



LIVING LV 06



NR. ELEMENTI	DESCRIZIONE	CODICE
2	Base living sospesa a vetro L 60 H 48 P 50,6, apertura push-pull, 1 fianco come anta	EBL80601/2
1	Base living sospesa L 60 H 18 P 50,6, cassetto apertura tip-on	EBL72600
1	Base living sospesa L 60 H 18 P 50,6, cassetto apertura tip-on, 1 fianco come anta	EBL72600
2	Base living sospesa L 90 H 18 P 50,6, cassetto apertura tip-on	EBL72900
1	Top L 120 P 50,6 SP.4 dehton kelya opaco profilo P	al ml TDEP405
1	Top L 300 P 50,6 SP.4 dehton kelya opaco profilo P	al ml TDEP405
2	Maggiorazione finitura laterale come frontale top	T9LFT
TOTALE		
No. of ELEMENTS	DESCRIPTION	CODE
2	Hanging living base unit glass door W 60 H 48 D 50,6 push-pull opening, 1 side same as door	EBL80601/2
1	Hanging living base unit W 60 H 18 D 50,6, 1 drawer tip-on opening	EBL72600
1	Hanging living base unit W 60 H 18 D 50,6, 1 drawer tip-on opening, 1 side same as door	EBL72600
2	Hanging living base unit W 90 H 18 D 50,6, 1 drawer tip-on opening	EBL72900
1	Dekton matt kelia P profile worktop W 120 D 50,6 TH.4	per lm TDEP405
1	Dekton matt kelia P profile worktop W 300 D 50,6 TH.4	per lm TDEP405
2	Surcharge for side profile to match front profile worktop	T9LFT
TOTAL		

LIVING LV 08



ANTA
door



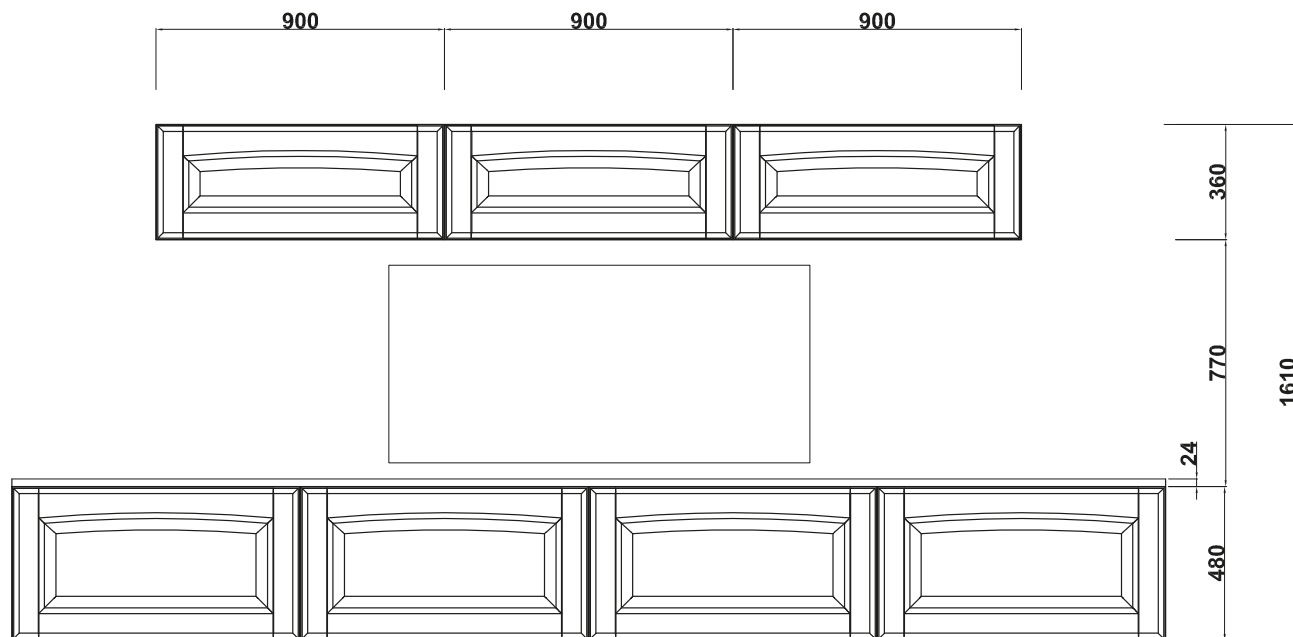
ARGILLA DECAPÈ GRIGIO
brushed clay grey

STRUTTURA
carcass



JUTA EFFETTO TELA
jute canvas effect

LIVING LV 08



NR. ELEMENTI	DESCRIZIONE	CODICE
2	Pensile L 90 H 36 P 33,6 ribalta, 1 fianco come anta	E2100900
1	Pensile L 90 H 36 P 33,6 ribalta	E2100900
2	Base living sospese L 90 H 48 P 50,6, cestone, 1 fianco come anta	EBL85900
2	Base living sospese L 90 H 48 P 50,6, cestone	EBL85900
2	Top living L 180 P 50,6 SP. 2,4 impiallacciato come anta	al ml TIL246
2	Asta appendipensili ml 2	08610501
TOTALE		
No. of ELEMENTS	DESCRIPTION	CODE
2	Wall unit W 90 H 36 D 33,6 flap door, 1 side same as door	E2100900
1	Wall unit W 90 H 36 D 33,6 flap door	E2100900
2	Hanging living base unit W 90 H 48 D 50,6 deep drawer, 1 side same as door	EBL85900
2	Hanging living base unit W 90 H 48 D 50,6 deep drawer	EBL85900
2	Veneered living worktop W 180 D 50,6 TH.2,4 same colour as door	per lm TIL246
2	Wall unit fixing strip lm 2	08610501
TOTAL		

